

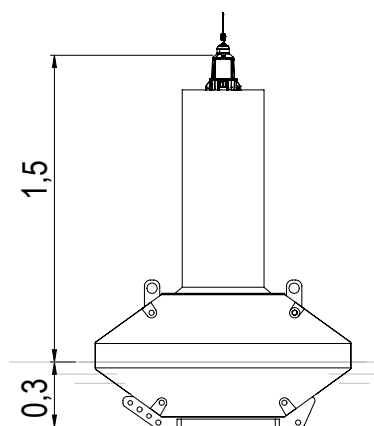
# POLYETHYLENE BUOY

## GBR-1250

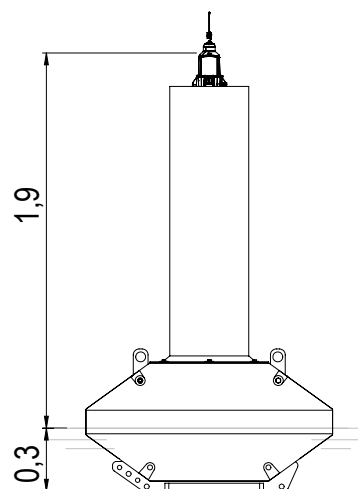


**Diameter: 1.25m**  
**Volume: 0.4m<sup>3</sup>**  
**For river beaconing**

- 2 segments of float in virgin polyethylene, UV stabilised and precompounded to reduce colour ageing, with standard wall thickness 7mm
- Expanded polystyrene (EPS) foaming available upon request
- Polyethylene spar: 1m high (SS) or 1.4m high (ES)
- 2 lifting eyes + multi-position mooring system
- Ballasted drift in galvanized steel, for strong current
- Aluminium top mark for Special Mark and Isolated Danger



GBR-1250-SS



GBR-1250-ES

### 1.25M DIAMETER FLOAT

0.4m<sup>3</sup> volume

### ADDITIONAL CHARACTERISTICS

**Reserve buoyancy (m<sup>3</sup>)**

0.3

**Total weight (kg)**

92 to 95

**Focal plane (m)**

1.5 to 1.9

**Visibility (m<sup>2</sup>)**

0.7 to 0.9

**Draught (m)**

0.3

**Recommended mooring chain**

Ø 14mm

**Overall height (m)**

1.8 to 2.2

**Recommended lantern**

Self-contained LED lanterns up to 3NM

Specifications subject to change or variation without notice - 2018