

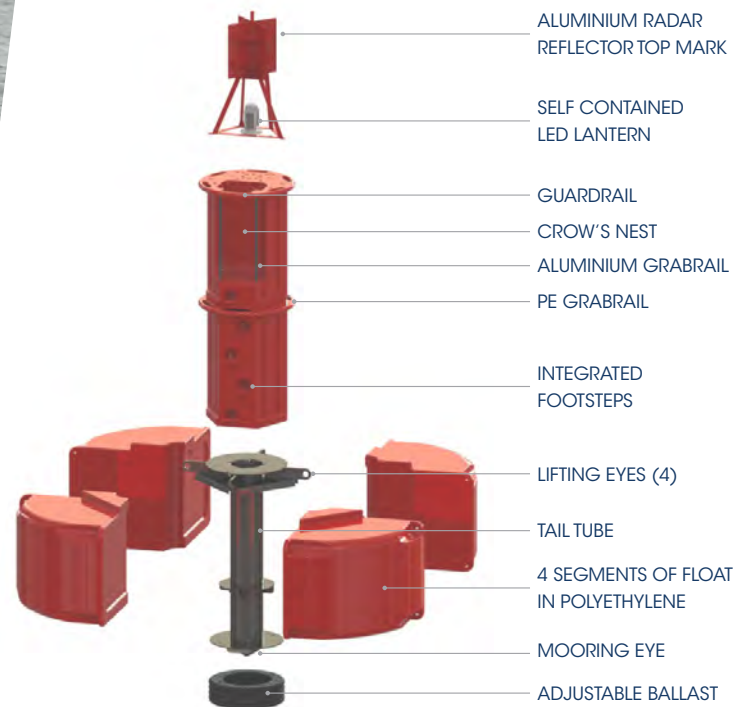
# POLYETHYLENE BUOY

## GBM-2500

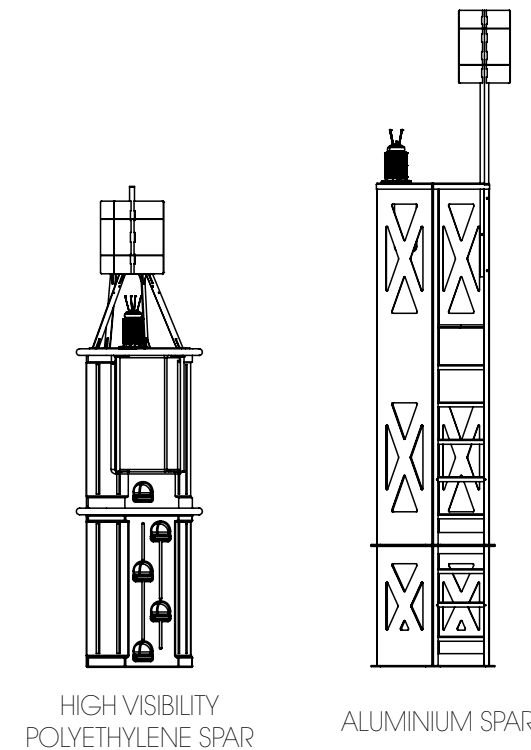
**Diameter: 2.5m**  
**Volume: 5.25m<sup>3</sup>**  
**For semi-exposed sites**

*With its modular design, the GBM-2500 can match various applications. The combination of its 3 main elements is custom-made according to site conditions and client requirements.*

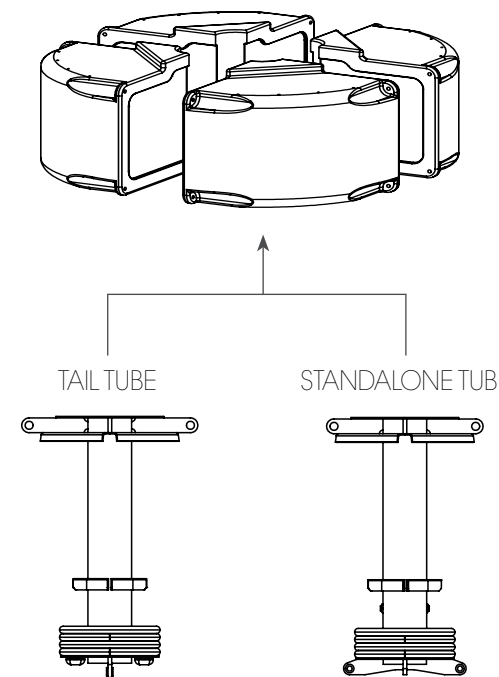
- 4 segments of float in virgin polyethylene, UV stabilised and precompounded to reduce colour ageing, with standard wall thickness 10mm (higher available upon request), and expanded polystyrene (EPS) foaming
- High Visibility Polyethylene (HVPE) or Aluminium (ALU) spar
- Central structure in painted and/or galvanized steel, combined with standard tail tube (TT) or standalone tube (SAT)



2 types of spar, to offer enhanced visibility and match all focal plane requirements



2.5m diameter modular float filled with EPS foam



2 types of central structures: standard Tail Tube or StandAlone Tube (so that the buoy can easily be stood in service yards or service vessels)

### 2 TYPES OF SPAR

**HVPE (High Visibility PE)**  
2.7m high

**ALUMINIUM**  
Adjustable from 3 to 4m to comply with focal plane requirements

### 2.5M DIAMETER FLOAT

5.25m<sup>3</sup> volume  
Filled with EPS foam

### 2 TYPES OF STEEL CENTRAL STRUCTURE

Tail Tube (TT)  
StandAlone Tube (SAT)

### ADDITIONAL CHARACTERISTICS

**Reserve buoyancy (m<sup>3</sup>)**  
3.9 to 4.1

**Focal plane (m)**  
4.0 to 5.3

**Draught (m)**  
1.1 to 2.1

**Overall height (m)**  
6.1 to 8.6

**Ballast (kg)**  
390 to 520 (adjustable)

**Total weight (kg)**  
Approx. 1,300

**Visibility (m<sup>2</sup>)**  
4.7 to 6.4

**Recommended mooring chain**  
Ø 30mm (with bridle for Standalone Tube)

**Recommended lantern**  
Self-contained LED lanterns or standalone lanterns with solar generator, with range from 3 to 7NM