

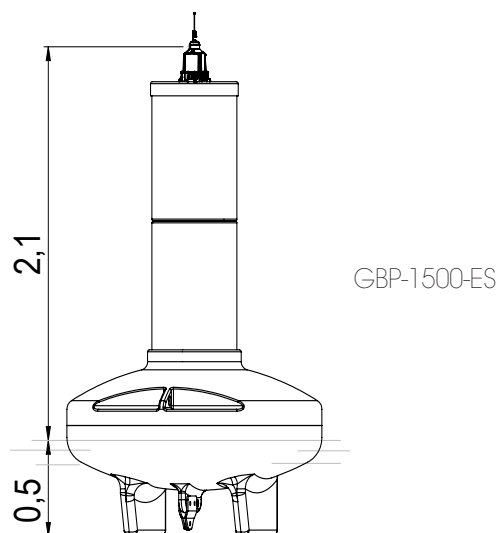
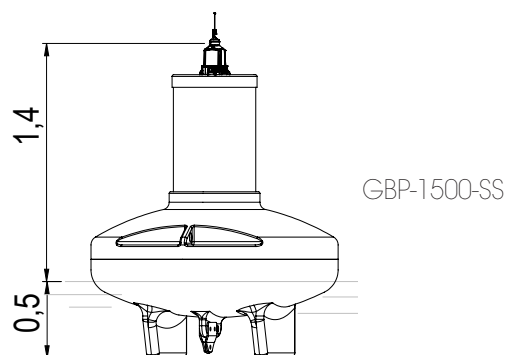
POLYETHYLENE BUOY

GBP-1500



Diameter: 1.5m
Volume: 0.8m³
For river beaconing, shallow waters and fast current zones

- Single float in virgin polyethylene, UV stabilised and precompounded to reduce colour ageing, with standard wall thickness 8.5mm, and expanded polystyrene (EPS) foaming
- Twin keel design for fast current zones (up to 7 knots)
- Single (SS) or extended (ES) spar in polyethylene
- Optional reinforced top mark (for SS model only)
- 2 mooring eyes + 2 lifting eyes



1.5M DIAMETER FLOAT

0.8m³ volume
 Filled with EPS foam

ADDITIONAL CHARACTERISTICS

Reserve buoyancy (m³)
 0.6

Focal plane (m)
 1.4 or 2.1

Draught (m)
 0.5

Overall height (m)
 1.9 to 2.7

Ballast (kg)
 85

Total weight (kg)
 167 to 180

Visibility (m²)
 0.9 to 1.4

Recommended mooring chain
 Ø 16mm

Recommended lantern
 Self-contained LED lanterns with range from 1 to 5.5NM