

POLYETHYLENE BUOY

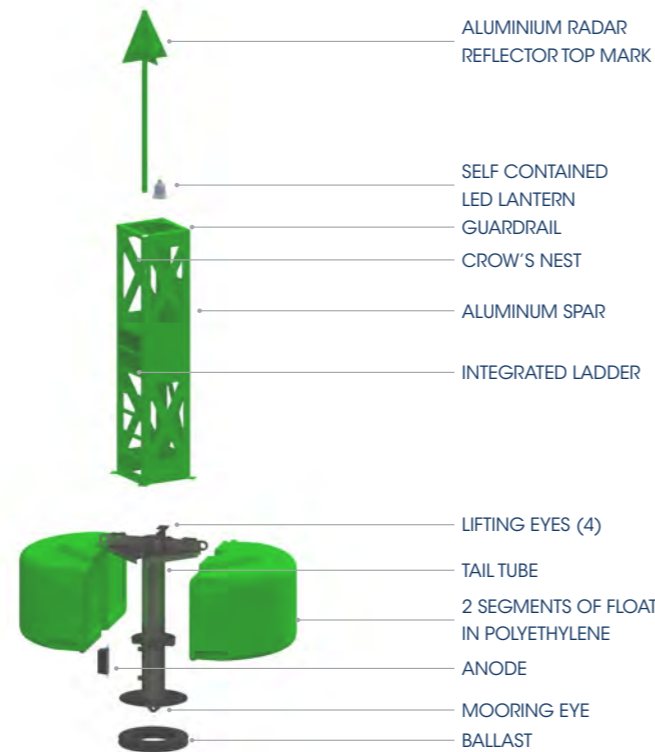
GBM-2000



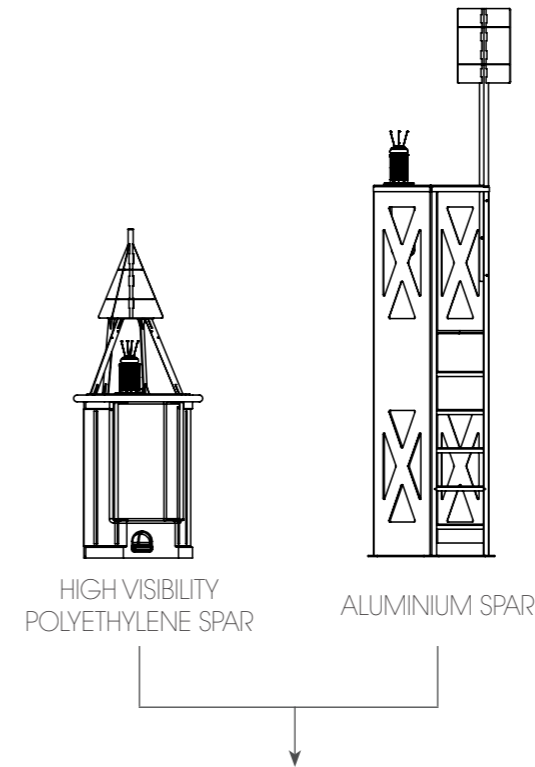
Diameter: 2.0m
Volume: 3.10m³
For semi-exposed & sheltered sites

With its modular design, the GBM-2000 can match various applications. The combination of its 3 main elements is custom-made according to site conditions and client requirements.

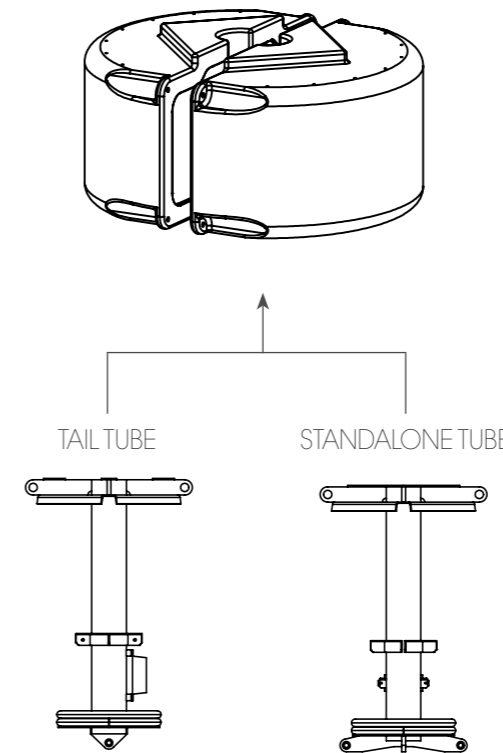
- 2 segments of float in virgin polyethylene, UV stabilised and precompounded to reduce colour ageing, with standard wall thickness 10mm (higher available upon request), and expanded polystyrene (EPS) foaming
- High Visibility Polyethylene (HVPE) or Aluminium (ALU) spar
- Central structure in painted and/or galvanized steel, combined with standard tail tube (TT) or standalone tube (SAT)



2 types of spar, to offer enhanced visibility and match all focal plane requirements



2m diameter modular float filled with EPS foam



2 types of central structures: standard Tail Tube or StandAlone Tube (so that the buoy can easily be stood in service yards or service vessels)

3 TYPES OF SPAR

HVPE

1.3m high

ALUMINIUM

Adjustable from 2 to 3m to comply with focal plane requirements

2.0M DIAMETER FLOAT

3.1m³ volume
 Filled with EPS foam

3 TYPES OF STEEL CENTRAL STRUCTURE

Tail Tube (TT)
 StandAlone Tube (SAT)

ADDITIONAL CHARACTERISTICS

Reserve buoyancy (m³)
 2.0 to 2.3

Focal plane (m)
 2.6 to 4.2

Draught (m)
 1.2 to 2.2

Overall height (m)
 4.8 to 7.6

Ballast (kg)
 260 (adjustable)

Total weight (kg)
 Approx. 800

Visibility (m²)
 3.3 to 4.5

Recommended mooring chain
 Ø 25mm (with bridle for StandAlone Tube)

Recommended lantern
 Self-contained LED lanterns or standalone lanterns with solar generator with range from 2 to 5.5NM