

*The buoy type GBP 1500 is a multi-purpose polyethylene curved bottom buoy with a 1500mm diameter and a 800L volume.*

*It is a cost effective solution intended for beaconing shallow waters, channel edges rivers and fast current zones.*

The twin-keel design combined with a three-position mooring eye provides superior performance in slow or fast current conditions (from 0 up to 6 knots).

The modular pillar is made of polyethylene and offers 2 focal planes (1180mm and 1890mm)

The float is equipped with a ballast in the bottom part and with 2 lifting eyes in the upper part. The rotomoulded polyethylene is of medium density type, stained in the mass and is UV resistant. The colour of the polyethylene is in conformance with IALA recommendations.

The float is filled with polystyrene foam in order to guarantee the buoy buoyancy even in case of damage of the polyethylene envelope.

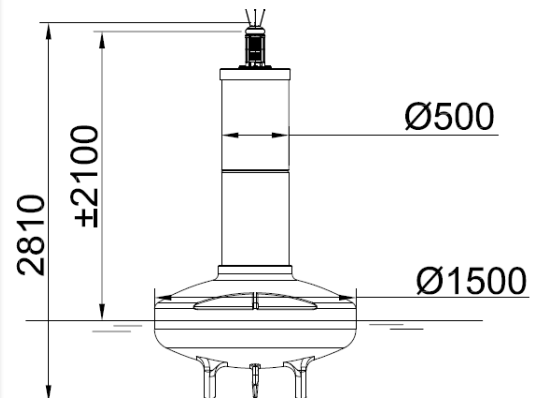


### Buoy features

- 100% recyclable
- Low maintenance
- Can be easily stored
- Easy deployment
- Can beach

### Optional equipment

- LED self contained lantern
- Top mark radar reflector



### Buoy specifications

Diameter	1500mm
Volume	0.8m <sup>3</sup>
Reserve buoyancy	0.56m <sup>3</sup>
Weight	268kg
Focal plane	2100mm
Draught	536mm
Height of 1 superstructure	680mm

